

Name:

Interest Date:

Admission Date:

**COLORADO STATE UNIVERSITY**  
**CONSTRUCTION MANAGEMENT MINOR – EFFECTIVE FALL 2017**  
*Department of Construction Management*

*This minor is designed to provide students an opportunity to study basic concepts of construction, materials, techniques, design, and managerial skills required for the construction industry.*

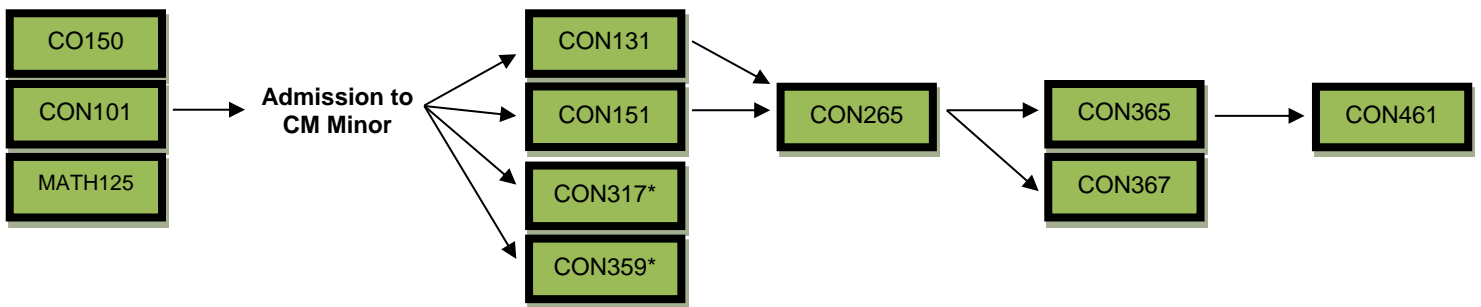
The following criteria are required to be admitted to the Construction Management Minor:

- 2.75 Cumulative CSU GPA
- Completion of CON101 Intro to Construction Management with a 'B' grade or better
- Completion of CO150 College Composition with a 'B' grade or better
- Completion of MATH125 Numerical Trigonometry with a 'C' grade or better

<u>CM MINOR PROGRAM OF STUDY</u>	<u>CREDITS</u>	<u>SEMESTER</u>
<input type="checkbox"/> <b>CON 101</b> Intro to Construction Management	<u>3</u>	<u>          </u>
<b>***Apply for admission to the CM Minor. After admission, students become eligible for the courses listed below. All prerequisites for Construction Management classes are enforced. Plan your schedule accordingly as NO overrides will be given for prerequisites.***</b>		
<input type="checkbox"/> <b>CON 131</b> Graphic Communications for Construction <i>Accepted substitution for ID majors: INTD 256 Computer-Aided Design for Interior Designers</i>	<u>2</u>	<u>          </u>
<input type="checkbox"/> <b>CON 151</b> Construction Materials and Methods	<u>3</u>	<u>          </u>
<input type="checkbox"/> <b>CON 317</b> Safety Management	<u>2</u>	<u>          </u>
<input type="checkbox"/> <b>CON 265</b> Plan Reading and Quantity Survey <i>(Prerequisites: CON131 and CON151)</i>	<u>3</u>	<u>          </u>
<input type="checkbox"/> <b>CON 359</b> Structures I <i>(Prerequisites: Jr. Standing and MATH125)</i>	<u>4</u>	<u>          </u>
<input type="checkbox"/> <b>CON 365</b> Construction Estimating II <i>(Prerequisite: CON265)</i>	<u>3</u>	<u>          </u>
<input type="checkbox"/> <b>CON 367</b> Construction Contracts and Project Administration <i>(Prerequisite: CON265)</i>	<u>3</u>	<u>          </u>
<input type="checkbox"/> <b>CON 461</b> Construction Project Scheduling & Cost Control <i>(Prerequisite: CON365)</i>	<u>3</u>	<u>          </u>
<b>TOTAL CREDITS</b>	<b>26</b>	

**CM Advising Office:**  
222B Guggenheim Hall  
Fort Collins, CO 80523-1584  
Phone: (970) 491-7354  
FAX: (970) 491-2473

## CONSTRUCTION MANAGEMENT MINOR COURSE PREREQUISITE FLOWCHART



### LEGEND

→ Prerequisite

- - - -> Corequisite

\* Course can be taken at any point after admission to the minor

### COURSE DESCRIPTIONS

CO150 College Composition

MATH125 Numerical Trigonometry

CON101 Intro to Construction Management

CON131 Graphic Communication for Construction

CON151 Construction Materials and Methods

CON265 Plan Reading and Quantity Survey

CON317 Safety Management

CON359 Structures I

CON365 Construction Estimating II

CON367 Construction Contracts and Project Administration

CON461 Construction Project Scheduling and Cost Control

### APPLICATION PROCESS FOR ADMISSION TO THE CM PROGRAM

1. Complete all minimum CM Minor admission criteria listed above.
2. Submit the electronic CM Minor Application via the link sent to students prior to finals week each semester. The application must be completed and submitted online prior to 5:00 PM on the Friday of finals week.
3. An admission decision will be sent via e-mail to inform the students of their status within two weeks of the application deadline.

If you have any questions, please contact the CM Advising Office at (970) 491-7354.